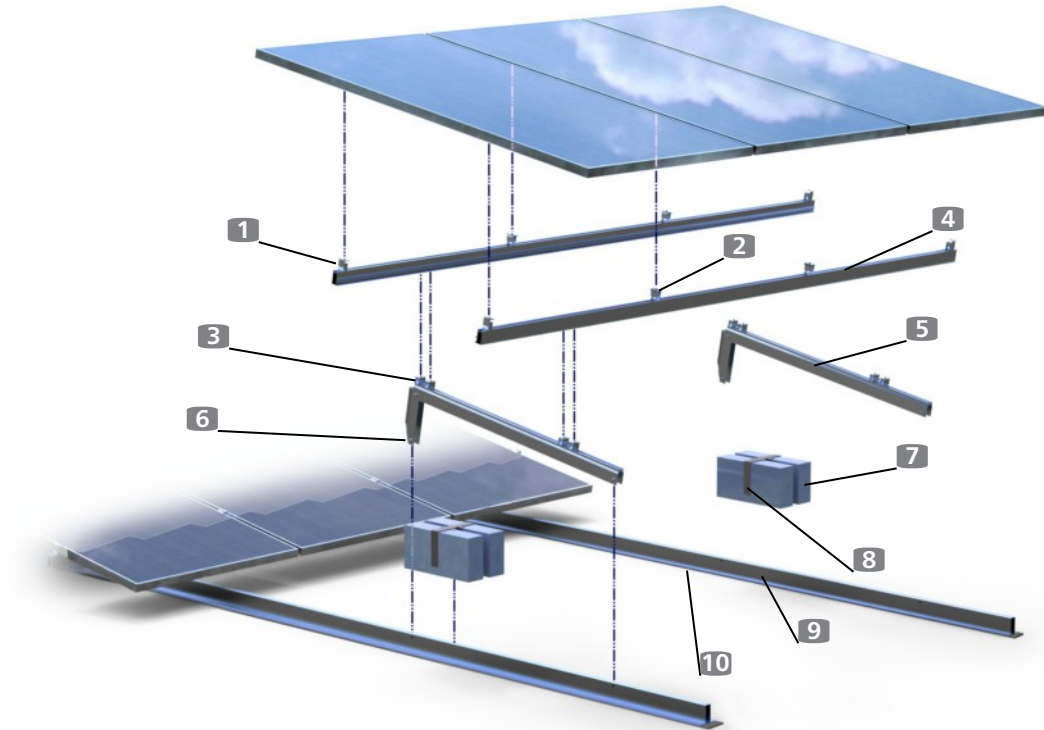



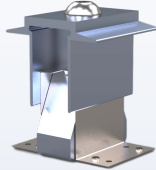
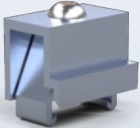

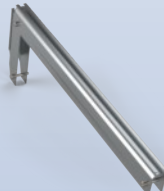
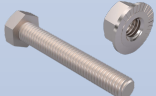
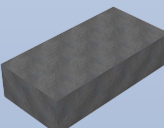
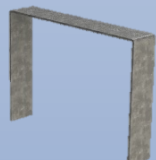
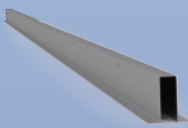
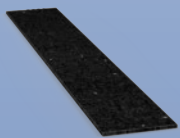


TGR *Uncompromised quality is now affordable*

Flat Roof Mounting Solution

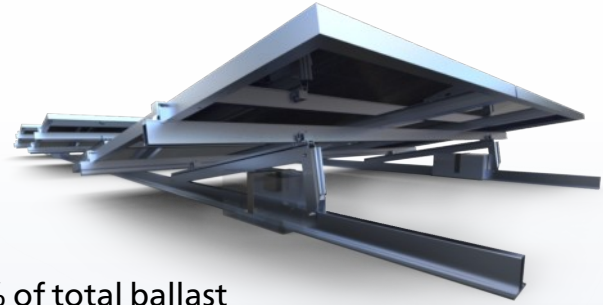
The material-optimized, flexible design, made of aluminum and galvanized steel, allows for low ballast. Typical global loading is well under 3 lbs/sq ft. Avoid roof reinforcements on your next project.



-  1 Adjustable End-Clamp
-  2 Adjustable Mid-Clamp
-  3 Cross Adaptors
-  4 1966 Rail
-  5 Tilt Assembly
-  6 Hex Bolt (M8x50) & Nut
-  7 Ballast Block (locally procured)
-  8 Ballast Clamp
-  9 Base Rail
-  10 Rubber Pad



System Features & Benefits



**Global loading
as low as 2.3 psf**

- Reduce up to 50% of total ballast
- Avoid building structural reinforcements
- Higher success rate of building structural qualification
- Lower mechanical/electrical installation time and cost

Rail based system

- Maintain module warranties
- Reduce point loading on your roof by transferring load through continuous base rails
- Reduce electrical materials and installation costs
- Predetermined row spacing and tilt angle
- Install racking and ballast in advance of module placement

**No wind screen
required**

- Wind tunnel study from RWDI
- Easy access for wire management
- Reduce inter-row snow accumulation
- Snow accumulation under modules
- Easy installation of DC wiring to Top rails

**Pre-assembled
components**

- Reduce installation time and cost by as much as 50%
- Eliminate on-site inter-row and tilt angle measurement errors
- Universal module mid and end clamps can accommodate 30-50mm frames

**Any tilt angle – 3-35°,
any orientation**

- Ability to accommodate any tilt angle and any inter-row spacing
- Flexible panel layout and optimize roof density
- Portrait or landscape orientations

**Enhanced
engineering drawings**

- Detailed structural and construction packages create on-site efficiencies, saving you time and money

**Mechanically
Fastened or Ballasted**

- Minimize cost, maximize longevity
- Longer ballast life
- Ballast installed under modules



Environmental Group Inc.

120 Parsons Road
Alliston, ON L9R 1E9
Tel: 705-435-7373
Fax: 705-434-4002
www.terragensolar.ca
info@terragensolar.ca

